

Atlas 200 (209kw) SL WS P



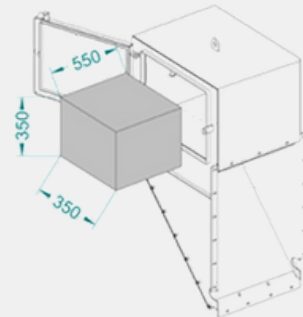
The 200 SL WS P is the most compact solution for burning solid and liquid waste, available with a 30L (waste bag) sluice size, and suitable for smaller vessels, where space is limited.

SPECIFICATIONS

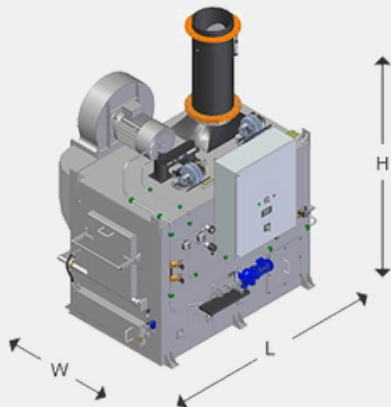
DATA

Combustion Capacity (kW)	209
Combustion Capacity (kcal/h)	180.000
Combustion Capacity Solid Waste (IMO waste specification)	40 kg/h max. 160 kg/24 hours
Combustion Capacity Liquid Waste	20 l/h at 0% water content
(IMO standard is 20% water content)	24 l/h at 20% water content 40 l/h at 50% water content

WASTE SLUICE SIZE



Standard waste sluice:
 Approx. 30 ltr. waste bags



INCINERATOR DIMENSIONS

Width	1599 mm
Height	2152mm
Length	2152mm

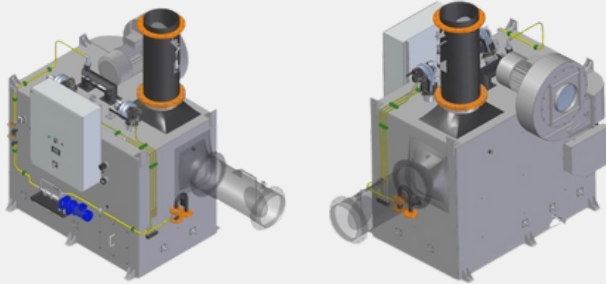
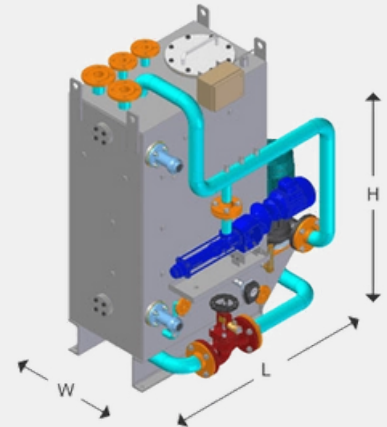
TANK DIMENSIONS

500 SP

Height 775 mm

Width 1610 mm

Length 1255 mm



FLUE GAS OUTLET ALTERNATIVES

In case of height restrictions in the incinerator room we can offer the 200 type incinerator with the outlet in the side as shown below.