

Atlas 200 (209kw) S WS



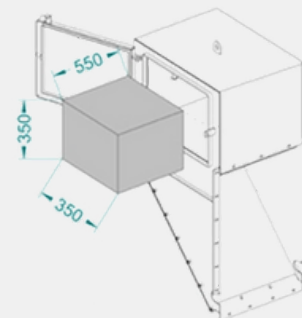
The 200 S WS is the most compact solution for burning solid waste only, available with a 30L (waste bag) sluice size, and suitable for smaller vessels, where space is limited.

SPECIFICATIONS

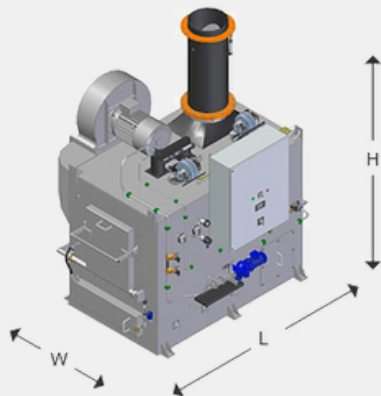
DATA

Combustion Capacity (kW)	209
Combustion Capacity (kcal/h)	180.000
Combustion Capacity Solid Waste (IMO waste specification)	40 kg/h max. 160 kg/24 hours

WASTE SLUICE SIZE

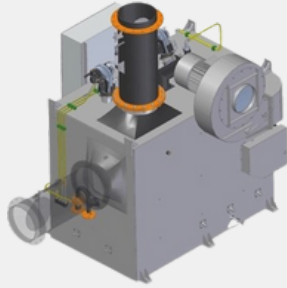
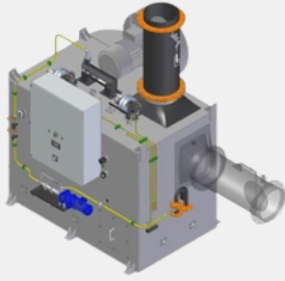


Standard waste sluice:
 Approx. 30 ltr. waste bags



INCINERATOR DIMENSIONS

Width	1599 mm
Height	2152 mm
Length	2050 mm



FLUE GAS OUTLET ALTERNATIVES

In case of height restrictions in the incinerator room we can offer the 200 type incinerator with the outlet in the side as shown below.